

Windowmaker Option

Angled Heads I



Overview

Angled Heads I option allows you to create window/door designs with angled heads. It makes appropriate calculations for the frame, sash and glazing.

How it works

The Windowmaker Configurator allows the user to:

- ▲ Create different head types from supported shapes
- ▲ Specify the parameters related to the selected shape
- ▲ Calculate BOM and costing for the components used in the shaped part
- ▲ Show elevation graphics



Fig. 1 Supported Shapes

Key Features

- ▲ Supports designs with Transom/Mullion/Coupler
- ▲ Allows placing this exactly at the rake node
- ▲ Supports designs with [Georgian Grids](#)
- ▲ Supports Mechanical or Welded joins
- ▲ Allows generating work instructions for Production, including link to machinery

Related Options

- ▲ [Angled Heads II](#)

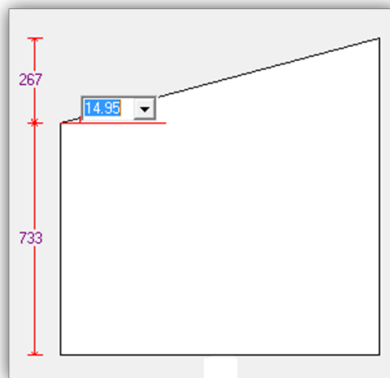


Fig. 2 Defining Shape Parameters

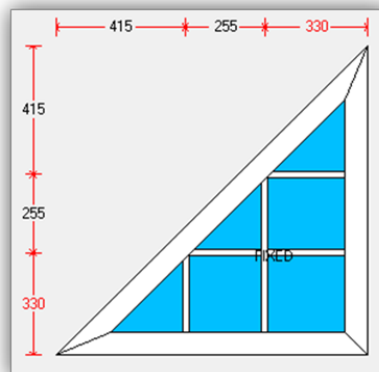


Fig. 3 With Georgian Grids

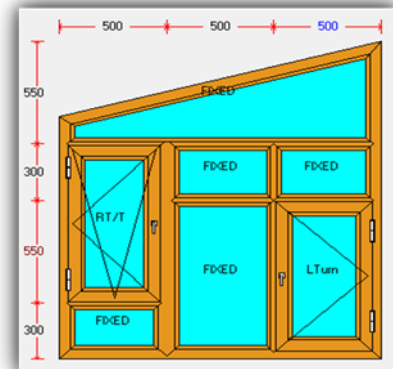


Fig. 4 Complex Designs

Description	Qty.	Size
4-12-4 Clear	1	886w x 869h 3
		[632]
Outer Frame	1	1035w 37.5\ 52.4
Outer Frame	1	1000w \
Outer Frame	1	733h \ 37.5
Outer Frame	1	1000h 52.4\
D.G. Bead (Coex.)	1	927w 37.5\ 52.4
D.G. Bead (Coex.)	1	896w \
D.G. Bead (Coex.)	1	641h 37.5\
D.G. Bead (Coex.)	1	880h 52.4\

Fig. 5 BOM for Rake Profiles and Shapes