

Windowmaker Option

Angled Heads II



Overview

The user can create designs of different angles for doors and windows. The software makes appropriate calculations for the frame, sash and glazing.

How it works

The Windowmaker Configurator allows the user to:

- ▲ Create different head types from supported shapes
- ▲ Specify the parameters related to the selected shape
- ▲ Calculate BOM and costing for the components used in the shaped part
- ▲ Show elevation graphics

Key Features

- ▲ Supports designs with Transom/Mullion/Coupler
- ▲ Allows placing this exactly at the rake node
- ▲ Supports designs with [Georgian Grids](#)
- ▲ Supports Mechanical or Welded joins
- ▲ Allows generating work instructions for Production, including link to machinery

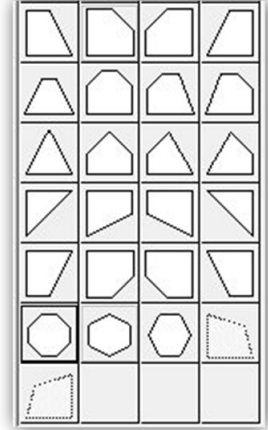


Fig. 1 Supported Shapes

Related Options

- ▲ [Angled Heads I](#)
- ▲ [Arched Heads](#)

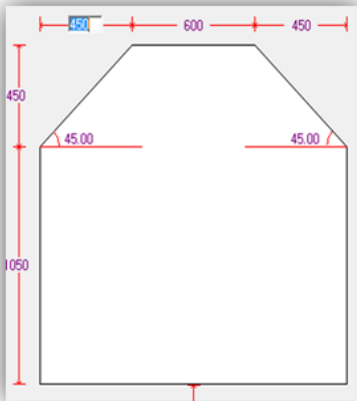


Fig. 2 Defining Shape Parameters

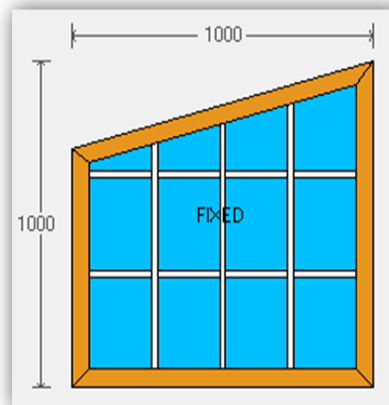


Fig. 3 With Georgian Grids

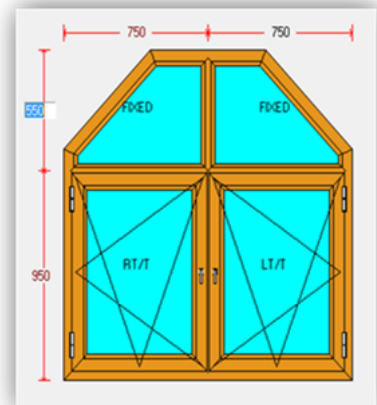


Fig. 4 Complex Designs

Quantity		1		1 : Main profiles			
Description	Qty.	Size		Where	Cost		
Outer Frame	OL072-2/LO	1	636w	22.5\ 22.5	F^A	3.07	
Outer Frame	OL072-2/LO	1	600w	22.5\ 22.5	F^B	2.89	
Outer Frame	OL072-2/LO	1	636w	22.5\ 22.5	F^D	3.07	
Outer Frame	OL072-2/LO	1	1500w	\	F_A	7.20	
Outer Frame	OL072-2/LO	1	1050h	\ 22.5	F<1	5.05	
Outer Frame	OL072-2/LO	1	1050h	22.5\	F>1	5.05	
Transom/Mullion T	TI070-2/LO	1	713w	<>	F-A3	3.18	
Transom/Mullion T	TI070-2/LO	1	713w	<>	F-C3	3.18	
Transom/Mullion T	TI070-2/LO	1	1426h	<>	F C1	6.32	
Window Z-Sash in*	SZ078-2/LO	1	701w	\	S^A3	4.18	
Window Z-Sash in*	SZ078-2/LO	1	701w	\	S^C3	4.18	

Fig. 5 BOM for Rake Profiles and Shapes