

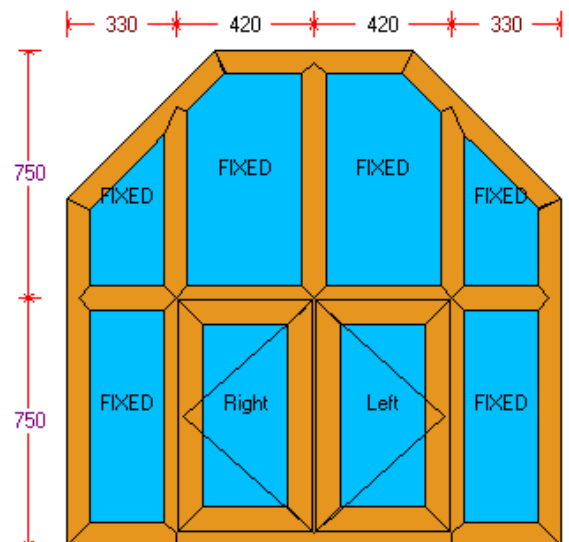
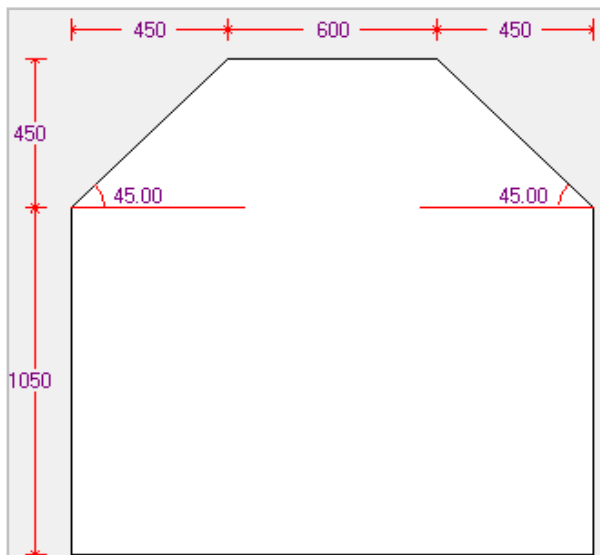
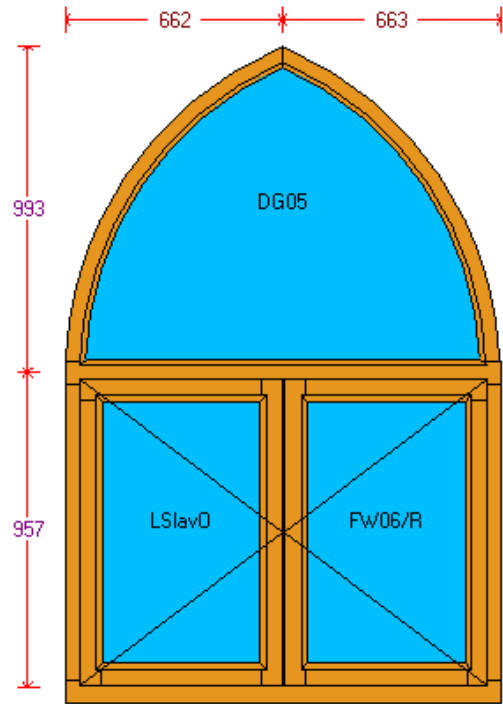
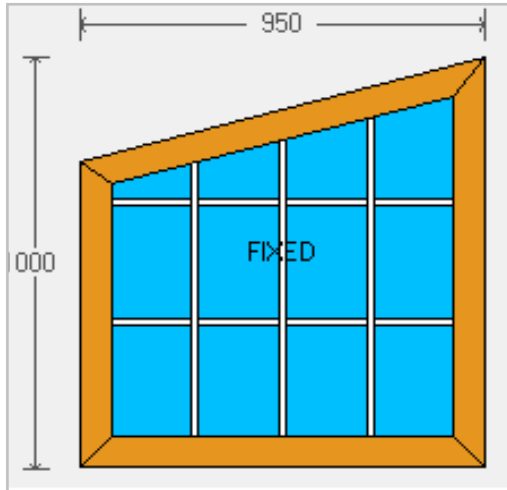
# Windowmaker Option

## Angled Heads and Arched Shapes



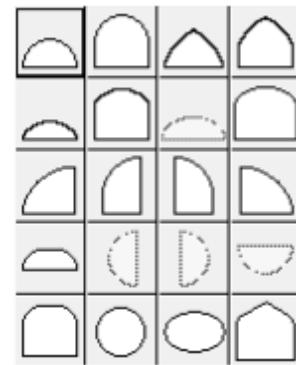
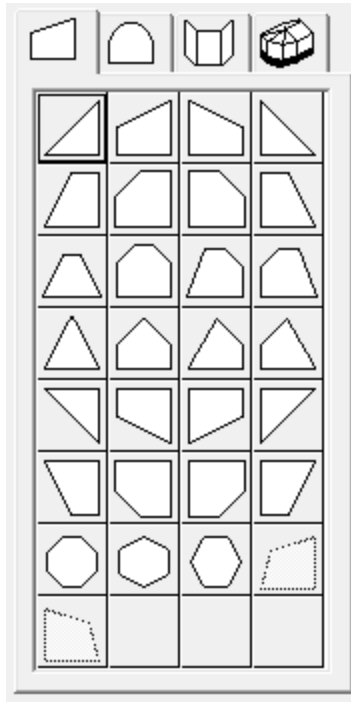
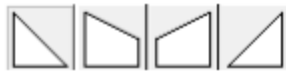
### Overview: What is it about?

You can create window/door designs with angles and arch shapes by using these options.



# Windowmaker Option

## Angled Heads and Arched Shapes



Quantity	Description	Qty.	Size
1	4-12-4 Clear	1	323w x 697h 25 [r=956]
1	4-12-4 Clear	1	860w x 423h 10 [230,230,r=956]
1	4-12-4 Clear	1	323w x 697h 24 [r=956]
1	Outer Frame OL072-2/LO	1	1428w 0.0\~/0.0 [1013]
1	Outer Frame OL072-2/LO	1	1428w 0.0\~/0.0 [1013]
1	Outer Frame OL072-2/LO	1	1700w √
1	Outer Frame OL072-2/LO	1	1600h √/0.0
1	Outer Frame OL072-2/LO	1	1600h 0.0√
1	Transom/Mullion T TI070-2/LO	1	882w []
1	Transom/Mullion T TI070-2/LO	1	345w []

Glass Parameters

Frame Parameters

Transom / Mullion

Shape Number

Parameters related to the Shape

### Benefits and Features: Why use this option?

- ▲ Ability to create different head types from supported shapes
  - Both symmetric as well as asymmetric designs
  - Designs with transom/mullion/coupler exactly at the rake node
- ▲ Time saved
  - Choose the desired shape from the range of supported shapes
  - Specify the parameters (length, angles, radius) associated
- ▲ Hassle-free calculations as the costs and BoM are generated automatically
- ▲ Work instructions for production are generated, including link to machinery